



2010 Catalogue



www.dudleysafes.com

Tel 01384 239991 Fax 01384 455129 Email sales@dudleysafes.com

Unit 17, Deepdale Works, Deepdale Lane, Upper Gornal, Dudley, West Midlands, DY3 2AF

Safe Range

Product By Cash & Jewellery Rating

Cash Rating £1,000 - Jewellery Rating £10,000	pg 5
Cash Rating £1,500 - Jewellery Rating £15,000	pg 5
Cash Rating £2,000 - Jewellery Rating £20,000	pg 6
Cash Rating £3,000 - Jewellery Rating £30,000	pg 7
Cash Rating £4,000 - Jewellery Rating £40,000	pg 8-9
Cash Rating £5,000 - Jewellery Rating £50,000	pg 10
Cash Rating £6,000 - Jewellery Rating £60,000	pg 11
Cash Rating £10,000 - Jewellery Rating £100,000	pg 12
Cash Rating £17,500 - Jewellery Rating £175,000	pg 13
Cash Rating £35,000 - Jewellery Rating £350,000	pg 14

Products by name

Bespoke/Special Safe	pg 17
Compact 5000 MKII	pg 10
Dudley MKII Safe	pg 9
Dudley Wall Safe	Pg 16
Europa Grade 0	pg 11
Europa Grade 1	pg 12
Europa Grade 2	pg 13
Europa Grade 3	pg 14
Floorboard Safe	pg 15
Harlech Lite Level 1	pg 6
Harlech Lite Level 2	pg 8
Harlech Standard Series Safe	pg 7
Multi Purpose Cabinet Safe	pg 5
Security Cabinet Safe	pg 5
Underfloor Safe	pg 15

Company history

Dudley Safes Limited was founded in 1982 by brothers Mike and Jeff Macefield and continues to the present day as a family run business. Dudley Safes has emerged as one of the country's leading manufacturers and suppliers of free standing cash safes underfloor safes, wall safes and security cabinets.

The company now occupies nearly 30,000 square feet, employs approximately 50 local people and has a projected turnover in the current financial year of over £3m. The company's registration number is 1651902.



Meeting the qualifying requirement of ISO 9001:2008 Quality Assurance Certification, permitted Dudley Safes to submit safes to the Loss Prevention Certification board (LPCB) for testing and grading in accordance with established CEN standards. As a consequence, Dudley now manufactures a range of Euro-rated safes certified in compliance with Grade 0, Grade 1, Grade 2 and Grade 3. The entire product range is known and approved by all major UK insurance underwriters.

The company's rapid growth has been due in part to its reputation for the rapid completion of orders, (an average turnaround time of just seven to ten days) and the commitment of one of the largest distribution networks in the British security industry.

Major customers supplied and serviced by Dudley's network of distributors include:

British Petroleum, Total Oil, Shell UK, Texaco, Whitbread, Bass Taverns, Boots the Chemists, British Airways, Pizza Hut, Oddbins, Threshers, Virgin, Burton Group, British Shoe Corporation, Ladbrokes, Coral Racing, KFC, Spar, Burger King, W H Smith, Sainsburys, Mitchells & Butlers, Frankie & Bennys, Marks & Spencer, O2 Shops, Toys'R'Us.



Dudley Security Cabinet

Insurance Cash Rating £1,000 (Jewellery £10,000)

Constructed from high-grade steel electrically welded to form one solid unit. The body is pre-drilled for rear and base fixing. The door is constructed of solid steel plate with drill-resisting plate protecting the locking area. A full-length angle dog bolt protects the edge. Two 7-lever locks are fitted as standard, keys to differ.

Keys supplied in duplicate. Sizes 1 & 2 come complete with two shelves and sizes 3 & 4 come complete with three shelves. Standard Keylock Shown



Size	External Dimensions			Internal Dimensions			Weight	Volume
	H (mm)	W (mm)	D (mm)	H (mm)	W (mm)	D (mm)		
1	762	610	610	749	584	546	70	239
2	1016	610	610	1003	584	546	94	319
3	1270	610	610	1257	584	546	120	400
4	1499	762	610	1486	737	546	175	597



Dudley Multi Purpose Cabinet

Insurance Cash Rating £1,500 (Jewellery £15,000)

Ideal for high value items such as drugs, tobacco, tools, etc. It's construction gives greater resistance to the opportunist thief. Manufactured with a reinforced body with the addition of boltwork. Supplied standard keylock with two keys and rear and base fixing and shelves (two with sizes 1 & 2, and three with sizes 3 & 4).



Size	External Dimensions			Internal Dimensions			Weight	Volume
	H (mm)	W (mm)	D (mm)	H (mm)	W (mm)	D (mm)		
1	762	610	610	749	584	508	90	222
2	1016	610	610	1003	584	508	117	298
3	1270	610	610	1257	584	508	140	373
4	1499	762	610	1486	737	508	195	556

*Cash ratings are guide lines only. Please check with your insurance company.**Please note that external depths do NOT include handle and hinges (please allow an extra 65mm). All weights and sizes are approximate and Dudley Safes Ltd reserves the right to change specifications without notice. Colour is flake grey unless otherwise specified. For dimensions of the safe with the door open, please visit www.dudleysafes.com/support.asp

Harlech Lite S1

Insurance Cash Rating £2,000 (Jewellery £20,000)



A range of lightweight safes available in 8 sizes, suitable for domestic and small commercial risks. The range is well designed and complies with the requirements of EN14450 and is tested and certified by the LPCB.



Certified to LPS1183 Issue 4
EN14450:2005 LPCB ref.no.304a

The body is constructed with 50mm cavity and is fitted with a solid steel plate door. The overall door thickness is 76mm.

The boltwork is secured by a high-security, double-bitted keylock as standard (other options are available) and is Fire tested to BS476 Part 20.

Supplied as standard keylock (certified to EN1300) with two keys, dual base fixing and one adjustable shelf.

LOCKING OPTIONS INCLUDE: Keyless combination; electronic combination and the facility for dual locking if required and time delay locks.



Model	External Dimensions			Internal Dimensions			Weight	Volume
	H (mm)	W (mm)	D (mm)	H (mm)	W (mm)	D (mm)		
HL1-00	380	328	359	280	228	222	28	14.5
HL1-0	405	532	486	305	432	349	48	46
HL1-1	481	430	429	381	330	292	45	36.5
HL1-2	608	430	429	508	330	292	53	49
HL1-3	735	532	556	635	432	419	80	115
HL1-4	862	557	594	762	457	457	83	159
HL1-5	989	608	645	889	508	508	122	229
HL1-6	1370	608	645	1270	508	508	154	328

*Cash ratings are guide lines only. Please check with your insurance company.**Please note that external depths do NOT include handle and hinges (please allow an extra 65mm). All weights and sizes are approximate and Dudley Safes Ltd reserves the right to change specifications without notice. Colour is flake grey unless otherwise specified. For dimensions of the safe with the door open, please visit www.dudleysafes.com/support.asp

Harlech Standard Series Safe

Insurance Cash Rating £3,000 (Jewellery £30,000)



An economical range of safes available in 8 sizes, suitable for domestic and small commercial applications.

It has a 50mm fire resistant barrier protected body with steel plate door.

Two-way boltwork is protected by a live relocker.

Fire tested to BS476 Part 20.

Supplied as standard with a double bitted keylock (certified to EN1300) with two keys, base fixing and one adjustable shelf.

LOCKING OPTIONS INCLUDE: Keyless combination; electronic combination and the facility for dual locking if required, time locks and time delay locks.



Model	External Dimensions			Internal Dimensions			Weight	Volume
	H (mm)	W (mm)	D (mm)	H (mm)	W (mm)	D (mm)		
H00	380	328	359	280	228	222	83	14.5
H0	405	532	486	305	432	349	151	46
H1	481	430	429	381	330	292	138	36.5
H2	608	430	429	508	330	292	164	49
H3	735	532	556	635	432	419	265	115
H4	862	557	594	762	457	457	298	159
H5	989	608	645	889	508	508	370	229
H6	1370	608	645	1270	508	508	499	328

*Cash ratings are guide lines only. Please check with your insurance company.**Please note that external depths do NOT include handle and hinges (please allow an extra 65mm). All weights and sizes are approximate and Dudley Safes Ltd reserves the right to change specifications without notice. Colour is flake grey unless otherwise specified. For dimensions of the safe with the door open, please visit www.dudleysafes.com/support.aspx

Harlech Lite S2

Insurance Cash Rating £4,000 (Jewellery £40,000)



A range of lightweight safes available in 8 sizes, suitable for domestic and small commercial risks. The range is well designed and complies with the requirements of EN14450 and is tested and certified by the LPCB.



The body is constructed with 50mm cavity and is fitted with a solid steel plate door. The overall door thickness is 76mm.

The boltwork is secured by a high-security, double-bitted keylock as standard (other options are available) and is certified to EN1300.

Fire tested to BS476 Part 20.

The Level 2 range is further protected by a live relocker and internal body deflectors.

Supplied as standard keylock (certified to EN1300) with two keys, dual base fixing and one adjustable shelf. Locking Options: Keyless combination; electronic combination and the facility for dual locking if required and time delay locks.



Model	External Dimensions			Internal Dimensions			Weight	Volume
	H (mm)	W (mm)	D (mm)	H (mm)	W (mm)	D (mm)		
HL2-00	380	328	359	280	228	222	31	14.5
HL2-0	405	532	486	305	432	349	51	46
HL2-1	481	430	429	381	330	292	48	36.5
HL2-2	608	430	429	508	330	292	56	49
HL2-3	735	532	556	635	432	419	83	115
HL2-4	862	557	594	762	457	457	87	159
HL2-5	989	608	645	889	508	508	126	229
HL2-6	1370	608	645	1270	508	508	159	328

*Cash ratings are guide lines only. Please check with your insurance company.**Please note that external depths do NOT include handle and hinges (please allow an extra 65mm). All weights and sizes are approximate and Dudley Safes Ltd reserves the right to change specifications without notice. Colour is flake grey unless otherwise specified. For dimensions of the safe with the door open, please visit www.dudleysafes.com/support.aspx

Dudley Mark II Safe

Insurance Cash Rating £4,000 (Jewellery £40,000)



A cost effective range of safes available in 8 sizes with an enhanced 50mm cavity body construction, with an overall door thickness of 76mm.

Suitable for domestic and medium commercial applications.

Fire tested to BS476 Part 20 with added drill and fire resistance. The two-way boltwork is protected by a live relocker.

Supplied as standard with a double bitted keylock (certified to EN1300) with two keys, base fixing and one adjustable shelf.

LOCKING OPTIONS INCLUDE: Keyless combination; electronic combination and the facility for dual locking if required, time locks and time delay locks.



Model	External Dimensions			Internal Dimensions			Weight	Volume
	H (mm)	W (mm)	D (mm)	H (mm)	W (mm)	D (mm)		
D00	380	328	359	280	228	222	83	14.5
D1	481	430	429	381	330	292	138	36.5
D2	608	430	429	508	330	292	164	49
D3	735	532	556	635	432	419	265	115
D4	862	557	594	762	457	457	298	159
D5	989	608	645	889	508	508	370	229
D6	1370	608	645	1270	508	508	499	328
D7	1600	608	645	1500	508	508	577	393

*Cash ratings are guide lines only. Please check with your insurance company.**Please note that external depths do NOT include handle and hinges (please allow an extra 65mm). All weights and sizes are approximate and Dudley Safes Ltd reserves the right to change specifications without notice. Colour is flake grey unless otherwise specified. For dimensions of the safe with the door open, please visit www.dudleysafes.com/support.asp

Compact 5000 MKII

Insurance Cash Rating £5,000 (Jewellery £50,000)



A range of safes in 8 sizes, suitable for the home and business premises.

The overall body thickness is 50mm and the cavity between the inner and outer bodies includes bolt deflectors and is packed with a fire and burglary resistant monolith. Fire tested to BS476 Part 20.

The door plate is 10mm thick and the overall door thickness is 85mm. The bolt work has 28mm bolts that engage deep into the body of the safe with rear fixed dog bolts.

The bolt work is secured by a double bitted 8-lever keylock (certified to EN1300) and a live relocking device protected by a hardened drill resisting plate.

When the relocker moves into position, the safe is effectively locked in two different places.

Supplied standard: keylocking with 2 x keys, base fixing and 1 x adjustable shelf.

Locking Options include: mechanical (dial) combinations, electronic combinations, time locks, time delay locks and the facility for dual locking.



Model	External Dimensions			Internal Dimensions			Weight	Volume
	H (mm)	W (mm)	D (mm)	H (mm)	W (mm)	D (mm)		
COM00	380	328	359	280	228	222	87	14.5
COM0	405	532	486	305	432	349	160	46
COM1	481	430	429	381	330	292	150	36.5
COM2	608	430	429	508	330	292	170	49
COM3	735	532	556	635	432	419	275	115
COM4	862	557	594	762	457	457	318	159
COM5	989	608	645	889	508	508	395	229
COM6	1370	608	645	1270	508	508	525	328

*Cash ratings are guide lines only. Please check with your insurance company.**Please note that external depths do NOT include handle and hinges (please allow an extra 65mm). All weights and sizes are approximate and Dudley Safes Ltd reserves the right to change specifications without notice. Colour is flake grey unless otherwise specified. For dimensions of the safe with the door open, please visit www.dudleysafes.com/support.aspx

Europa Grade 0

Insurance Cash Rating £6,000 (Jewellery £60,000)



The Europa range of safes has been independently tested and certified by the Loss Prevention Certification Board (LPCB) to the stringent requirements outlined in the LPS 1183: Issue 4 and the European standard for safes EN1143-1: 2005 standard for burglary resistance of safes. It is suitable for commercial and domestic risks.



The range is well designed, soundly engineered and manufactured under the control of ISO 9001:2008, using the latest technology and production techniques. Barrier construction embodies innovative design combined with approved materials providing resistance in excess of the test criteria.

The boltwork arrangement is 3-way moving with fixed 32mm rear dog bolts. Fire tested to BS476 Part 20. Standard locking is supplied by a single 8-lever double-bitted keylock (certified to EN1300) with live relocker. Base fixing is standard.

This certification demonstrates our commitment to offering proven levels of security performance through one of the worlds leading security testing and approvals organisations; one that is widely recognised by Insurers, Police, banks and retailers.

Grade 0 comes in 7 sizes with one adjustable shelf included. Internal optional fittings include additional adjustable shelves, full-width lockable drawer units (one single drawer).

LOCKING OPTIONS INCLUDE: Keyless combination, electronic combination, time locks, time delay locks or dual locking.



Model	External Dimensions			Internal Dimensions			Weight KG	Volume LTR
	H (mm)	W (mm)	D (mm)	H (mm)	W (mm)	D (mm)		
EURO-01	487	487	454	355	355	273	170	34
EURO-02	615	437	466	483	305	273	190	40
EURO-03	716	551	605	584	419	413	280	101
EURO-04	818	564	617	686	432	425	350	125
EURO-05	1021	640	712	889	508	520	440	235
EURO-06	1402	640	712	1270	508	520	570	335
EURO-07	1656	640	712	1524	508	520	700	402

*Cash ratings are guide lines only. Please check with your insurance company.**Please note that external depths do NOT include handle and hinges (please allow an extra 65mm). All weights and sizes are approximate and Dudley Safes Ltd reserves the right to change specifications without notice. Colour is flake grey unless otherwise specified. For dimensions of the safe with the door open, please visit www.dudleysafes.com/support.aspx

Europa Grade 1

Insurance Cash Rating £10,000 (Jewellery £100,000)



The Europa range of safes have been designed to meet the stringent requirements of the LPS 1183: Issue 4 and the European Safe testing as outlined in EN1143-1: 2005, tested and certified by the LPCB. It is suitable for larger commercial and domestic risks.



The range is well designed, soundly engineered and manufactured under the control of ISO 9001:2008, using the latest technology and production techniques. Barrier construction embodies innovative design combined with approved materials providing resistance in excess of the test criteria. The boltwork arrangement is 3-way moving with fixed 32mm rear dog bolts. Fire tested to BS476 Part 20.

This certification demonstrates our commitment to offering proven levels of security performance through one of the worlds leading security testing and approvals organisations; one that is widely recognised by Insurers, Police, banks and retailers.

Standard locking is supplied by a single 8-lever double-bitted keylock (certified to EN1300) with passive and live relocker. Base fixing is standard. Grades 1 comes in 7 sizes with one adjustable shelf included. Internal optional fittings include additional adjustable shelves, full-width lockable drawer units (one single drawer).

LOCKING OPTIONS INCLUDE: Keyless combination, electronic combination, time locks, time delay locks or dual locking.



Model	External Dimensions			Internal Dimensions			Weight	Volume
	H (mm)	W (mm)	D (mm)	H (mm)	W (mm)	D (mm)		
EUR1-01	487	487	454	355	355	273	170	34
EUR1-02	615	437	466	483	305	273	190	40
EUR1-03	716	551	605	584	419	413	280	101
EUR1-04	818	564	617	686	432	425	350	125
EUR1-05	1021	640	712	889	508	520	440	234
EUR1-06	1402	640	712	1270	508	520	570	335
EUR1-07	1656	640	712	1524	508	520	700	402

*Cash ratings are guide lines only. Please check with your insurance company.**Please note that external depths do NOT include handle and hinges (please allow an extra 65mm). All weights and sizes are approximate and Dudley Safes Ltd reserves the right to change specifications without notice. Colour is flake grey unless otherwise specified. For dimensions of the safe with the door open, please visit www.dudleysafes.com/support.aspx

Europa Grade 2

Insurance Cash Rating £17,500 (Jewellery £175,000)



The Europa range of safes have been designed to meet the stringent requirements of European Safe testing as outlined in the LPS 1183: Issue 4 and the EN1143-1: 2005, tested and certified by the LPCB. It is suitable for larger commercial and domestic risks.



The range is well designed, soundly engineered and manufactured under the control of ISO 9001:2008, using the latest technology and production techniques. Barrier construction embodies innovative design combined with approved materials providing resistance in excess of the test criteria. The boltwork arrangement is 3-way moving with fixed 32mm rear dog bolts.

Standard locking is supplied by a single 8-lever double-bitted keylock (certified to EN1300) with live and dual interconnecting passive relockers. Base fixing is standard. Fire tested to BS476 Part 20.

This certification demonstrates our commitment to offering proven levels of security performance through one of the worlds leading security testing and approvals organisations; one that is widely recognised by Insurers, Police, banks and retailers.

Internal optional fittings include additional adjustable shelves, full-width lockable drawer units (one single drawer).

LOCKING OPTIONS INCLUDE: Keyless combination; electronic combination, time locks, time delay locks or dual locking.



Model	External Dimensions			Internal Dimensions			Weight	Volume
	H (mm)	W (mm)	D (mm)	H (mm)	W (mm)	D (mm)	KG	LTR
EUR2-01	487	487	454	355	355	273	178	34
EUR2-02	615	437	466	483	305	273	198	40
EUR2-03	716	551	605	584	419	413	300	101
EUR2-04	818	564	617	686	432	425	360	125
EUR2-05	1021	640	712	889	508	520	508	234
EUR2-06	1402	640	712	1270	508	520	605	335
EUR2-07	1656	640	712	1524	508	520	735	402

*Cash ratings are guide lines only. Please check with your insurance company.**Please note that external depths do NOT include handle and hinges (please allow an extra 65mm). All weights and sizes are approximate and Dudley Safes Ltd reserves the right to change specifications without notice. Colour is flake grey unless otherwise specified. For dimensions of the safe with the door open, please visit www.dudleysafes.com/support.asp

Europa Grade 3

Insurance Cash Rating from £35,000 (Jewellery £350,000)



The Europa range of safes have been designed to meet the stringent requirements of European Safe testing as outlined in the LPS 1183: Issue 4 and the EN1143-1: 2005, tested and certified by the LPCB. It is suitable for commercial applications.



The range is well designed, soundly engineered and manufactured under the control of ISO 9001:2008, using the latest technology and production techniques. Barrier construction embodies innovative design combined with approved materials providing resistance in excess of the test criteria. The boltwork arrangement is 3-way moving with fixed 32mm rear dog bolts.

Standard locking is supplied by a single 11-lever double-bitted keylock (certified to EN1300) with live and dual interconnecting passive relockers. Base fixing is standard. Fire tested to BS476 Part 20.

This certification demonstrates our commitment to offering proven levels of security performance through one of the worlds leading security testing and approvals organisations; one that is widely recognised by Insurers, Police, banks and retailers.

Grades 3 comes in 6 sizes with one adjustable shelf included. Internal optional fittings includes additional adjustable shelves, full-width lockable drawer units (one single drawer).

LOCKING OPTIONS INCLUDE: Keyless combination; electronic combination time locks, time delay locks or dual locking.



Model	External Dimensions			Internal Dimensions			Weight	Volume
	H (mm)	W (mm)	D (mm)	H (mm)	W (mm)	D (mm)	KG	LTR
EUR3-02	615	437	466	483	305	273	238	40
EUR3-03	716	551	605	584	419	413	368	101
EUR3-04	818	564	617	686	432	425	425	125
EUR3-05	1021	640	712	889	508	520	580	234
EUR3-06	1402	640	712	1270	508	520	770	335
EUR3-07	1656	640	712	1524	508	520	870	402

*Cash ratings are guide lines only. Please check with your insurance company. **Please note that external depths do NOT include handle and hinges (please allow an extra 65mm). All weights and sizes are approximate and Dudley Safes Ltd reserves the right to change specifications without notice. Colour is flake grey unless otherwise specified. For dimensions of the safe with the door open, please visit www.dudleysafes.com/support.aspx



Underfloor Safes

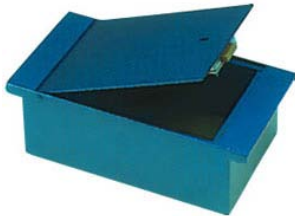
The underfloor safe range have a cash ratings from £1,000 to £6,000 and a jewellery rating from £10,000 to £60,000 (when the safes are embedded in concrete). Available in three sizes. Size 3 includes capsule deposit facility.

Locking options include key locking or mechanical dial combination.

Standard Keylock Shown



Model	External			Weight KG	Cash Rating £ GBP	Jewellery Rating £ GBP
	H (mm)	W (mm)	D (mm)			
UF1000-1	229	229	229	17	£1,000	£10,000
UF1000-2	305	305	305	22	£1,000	£10,000
UF1000-3	305	305	305	23	£1,000	£10,000
UF3000-1	229	229	229	18	£3,000	£30,000
UF3000-2	305	305	305	24	£3,000	£30,000
UF3000-3	305	305	305	26	£3,000	£30,000
UF6000-2	305	305	305	55	£6,000	£60,000
UF6000-3	305	305	482	65	£6,000	£60,000



Floorboard Safe

The floorboard safe for fixing between floor joists has a cash rating of £1,000 and £10,000 jewellery. Fixing bolts not included.

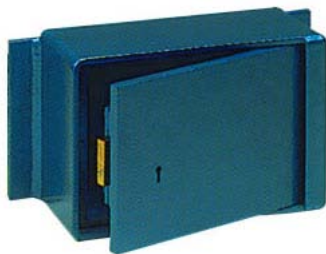
Standard Keylock Shown



Size	External Dimensions			Weight KG	Cash Rating £ GBP	Jewellery Rating £ GBP
	H (mm)	W(mm)	D(mm)			
1	342	203	127	10	£1,000	£10,000
2	342	304	127	13	£1,000	£10,000

*Cash ratings are guide lines only. Please check with your insurance company.**Please note that external depths do NOT include handle and hinges (please allow an extra 65mm). All weights and sizes are approximate and Dudley Safes Ltd reserves the right to change specifications without notice.
For dimensions of the safe with the door open, please visit www.dudleysafes.com/support.aspx

Dudley Wall Safe



The wall safe has a cash rating of £1,000 and £10,000 jewellery.

Locking options include key locking or mechanical dial combination.

Standard Keylock Shown



Size	External Dimensions			Weight	Cash Rating	Jewellery Rating
	H (mm)	W (mm)	D (mm)			
2	152	229	102	4	£1,000	£10,000
3	229	229	102	5	£1,000	£10,000
4	304	229	102	9	£1,000	£10,000



Dudley Utility Safe

The utility safe has a cash rating of £1,000 and £10,000 jewellery. Fixing bolts not included.

Locking options include key locking or mechanical dial combination.

Standard Keylock Shown



Safe	External Dimensions			Weight	Cash Rating	Jewellery Rating
	H (mm)	W (mm)	D (mm)			
UTIL2	304	304	307	17	£1,000	£10,000
UTIL3	457	304	304	20	£1,000	£10,000

*Cash ratings are guide lines only. Please check with your insurance company.**Please note that external depths do NOT include handle and hinges (please allow an extra 65mm). All weights and sizes are approximate and Dudley Safes Ltd reserves the right to change specifications without notice. For dimensions of the safe with the door open, please visit www.dudleysafes.com/support.aspx

Drawer & Deposit Options

Capsule Deposit

The Capsule Deposit facility can be fitted to any of our range of safes on any size. The deposit hole can be positioned in the top, rear or side of the safe. Each safe comes complete with six capsules.



Letter Slot Deposit

The Letter Slot Deposit facility can be fitted to any of our range of safes.

The Letter slot can be positioned in the top, rear or side of the safe. The opening measures 150mm x 25mm.



Rotary Deposit

The Rotary Deposit facility is available on all of our range of safes from Size 2 upwards. The rotary sits on top of the safe and allows parcels to be deposited into the safe via the rotary drum.



Drawer Deposit

The drawer deposit is available on the Harlech, Dudley, Compact 5000 and Europa models and can be fitted front, side or rear facing. The drawer opening is 260mm wide, 260mm deep and 150mm high. As standard, the drawer is secured by key lock.



Bespoke Custom Safes

Custom manufactured safes to the customer's specific requirements. Variations can include drawer deposit, rotary deposit, capsule deposit and letter slot deposit.

A **very small sample** of what we can do. Please visit us at www.dudleysafes.com for more examples.



Locking Options



3740 Digital Lock

Codes

1 Manager

1 User

Lock functions

Add/Delete user code (Manager only)

Disable/Enable user code (Manager only)

General functions

Low battery signal

Wrong try lockout after 4 false codes

Power supply

1 x 9 volt block battery

Lock

Die-cast lock case and bolt, bolt with 2 M4 threads (only for deadbolt)

Lock mounting set, incl. 3 screws M6

AuditGard

Codes

1 Control code*

1 Manager*

8 Users*

Lock functions

Time delay

Dual code*

Time delay override*

Add/Delete User code (Manager only)

Enable/Disable User code (Manager only)

Add/Delete Manager code (Control code only)*

Enable/Disable Manager code (Control code only)*

Remote disable lock opening*/**

Remote disable lock*/**

Silent alarm code*/**

Audit (record of last 512 events)

Lock opening only by code

Lock opening by code and eKeyII (material identification), activation with

reset box

* Activation by PC software required

** Battery box with alarm function or separate Alarm Interface (VdS listed) required

General functions

Low battery signal

Wrong try lockout after 4 false codes

Power supply

1 x 9 volt block

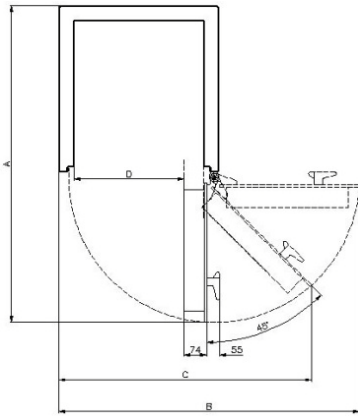
Lock

Die-cast lock case and bolt, bolt with 2 M4 threads (only for deadbolt)

Lock mounting set, incl. 3 screws M6

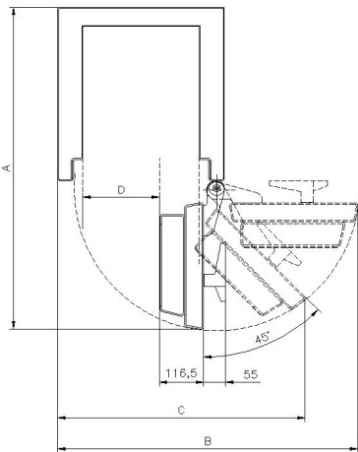


Door Swings



Size	Dim A	Dim B	Dim C	Dim D
00	655	591	492	164
0	985	998	841	368
1	825	793	665	266
2	825	793	665	266
3	1057	1000	842	368
4	1118	1048	882	393
5	1220	1152	970	444
6	1220	1152	970	444

Harlech Lite S1, Harlech Standard Series, Harlech Lite S2, Dudley Mark II and Compact 5000 MKII



Size	Dim A	Dim B	Dim C	Dim D
1	863	852	712	250
2	847	791	655	200
3	1099	1018	849	314
4	1125	1044	871	327
5	1296	1197	1001	403
6	1296	1197	1001	403
7	1296	1197	1001	403

Europa Grade 0, 1, 2 and 3